

Product Catalog

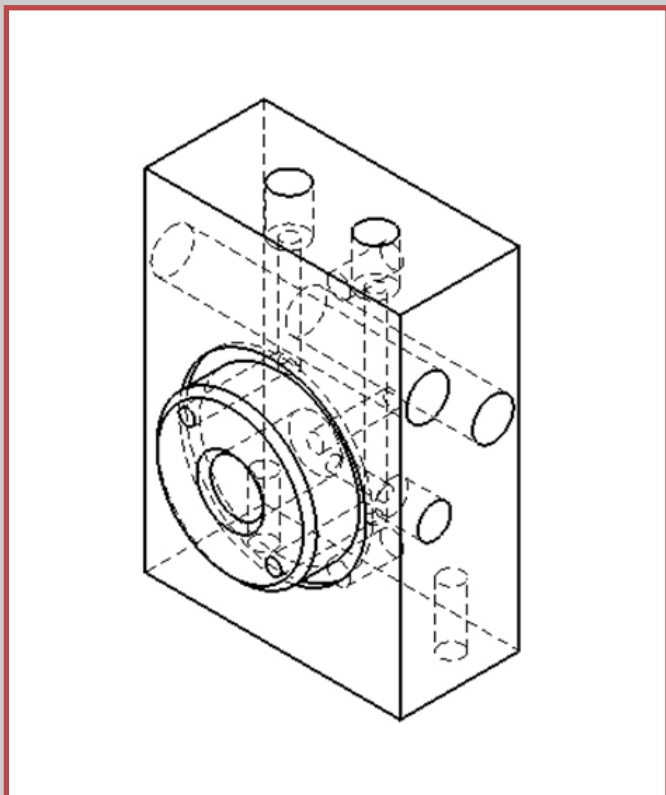
2024

How to Order

A photograph of a workshop with various machines, including a JET mill and a lathe, and an American flag on the wall. The workshop is well-lit and organized, with tools and equipment visible in the background.

Our catalog features frequently purchased products now readily available to our customers. **To place an order, please [click here](#) to fill out the online order form or email us at douglas@micro-heat.com.**

micro-Heat Engineering provides a cumulative total of over 30 years of experience in engineering design, machining, automation, electronics, and thermal control.



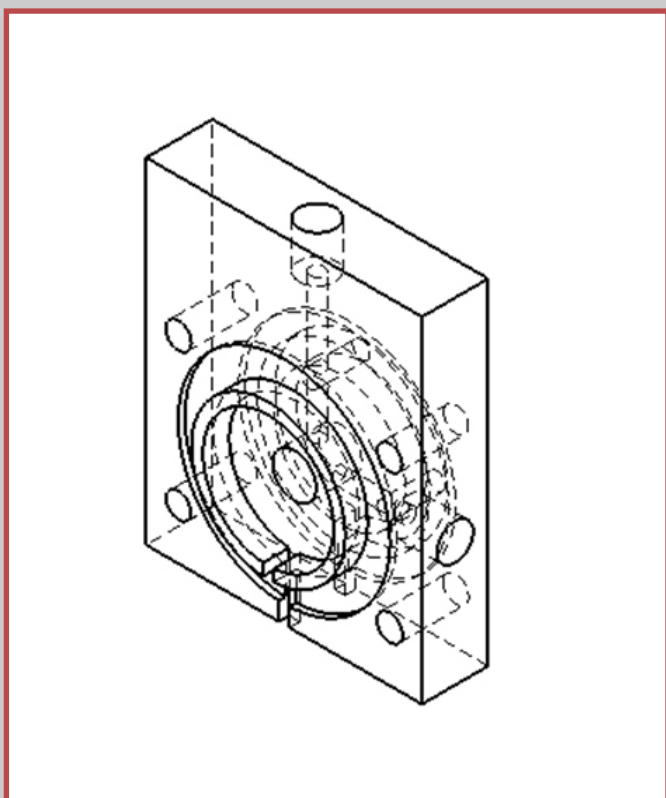
IMS Detector Housing

Part# IMS-DTR-HOUS-V6-6061

<i>Quantity</i>	<i>Price</i>
< 4	\$251 each
5 +	\$106 each

Tapped holes (optional add on):

\$6 each threaded hole



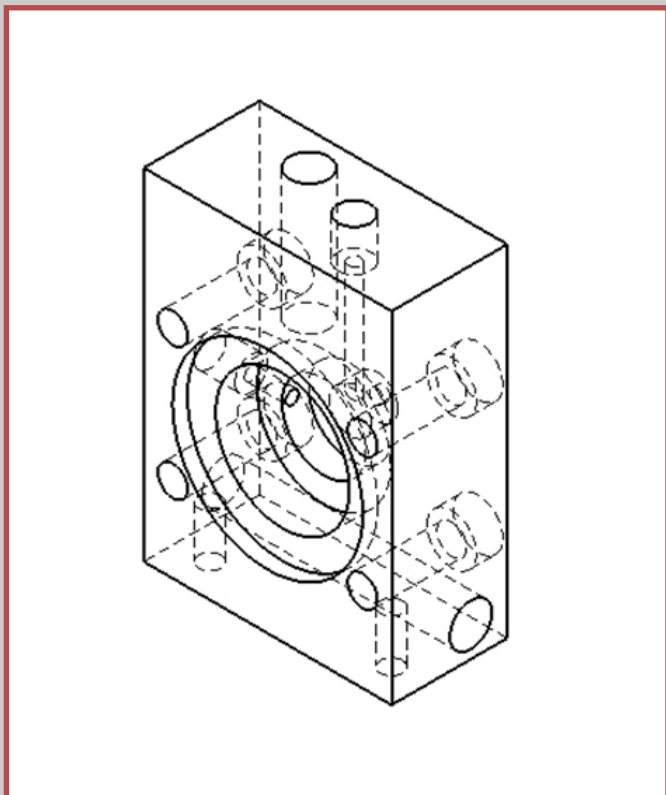
IMS Grid Holder

Part# IMS-GRD-HOLD-V4P6-6061

<i>Quantity</i>	<i>Price</i>
< 4	\$215 each
5 +	\$92 each

Tapped holes (optional add on):

\$6 each threaded hole



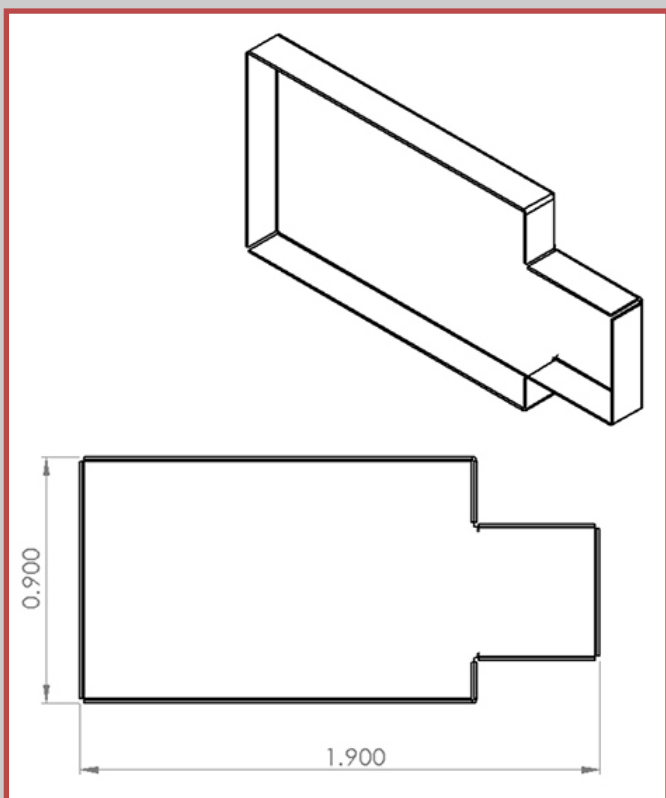
IMS Ionization End Cap

Part# IMS-ION-CAP-V0-6061

<i>Quantity</i>	<i>Price</i>
< 4	\$252 each
5 +	\$111 each

Tapped holes (optional add on):

\$6 each threaded hole



IMS Electronics PCB Shield

Part# IMS-ELECTRONIC-SHIELD

<i>Quantity</i>	<i>Price</i>
< 4	\$175 each
5 +	\$70 each

We can provide shields in a variety of shapes and sizes.

All shields are made of tin coated steel for easy solder connections and attachment to ground planes.



Micro-Heat

ENGINEERING



2450 Baylor Drive SE
Albuquerque, NM 87106



<https://www.micro-heat.com>